

ATPLAS Double Box



Benefits

A stadium shaped chamber helps prevent rotation and is intended to transfer any torque resulting from meter installation / removal to the ground around, through the 'flat sides' avoiding impact on service connections.

The Rising-Spindle Stop-valve design helps minimise damage through possible over-tightening, using a piston and bore arrangement with positive stop points and torque failsafe in the key and valve cap. The box is also available with a quarter turn valve instead.

Non-return valve can be replaced in-situ using appropriate tools and with regard for local regulations and working practices.

Water flow is assisted by the DN20 nominal bore through the manifold, with its non-return valve adapted to suit the concentric G1.5 meter interface. The robust plastic surface box has a load bearing capacity of over 30 kN.

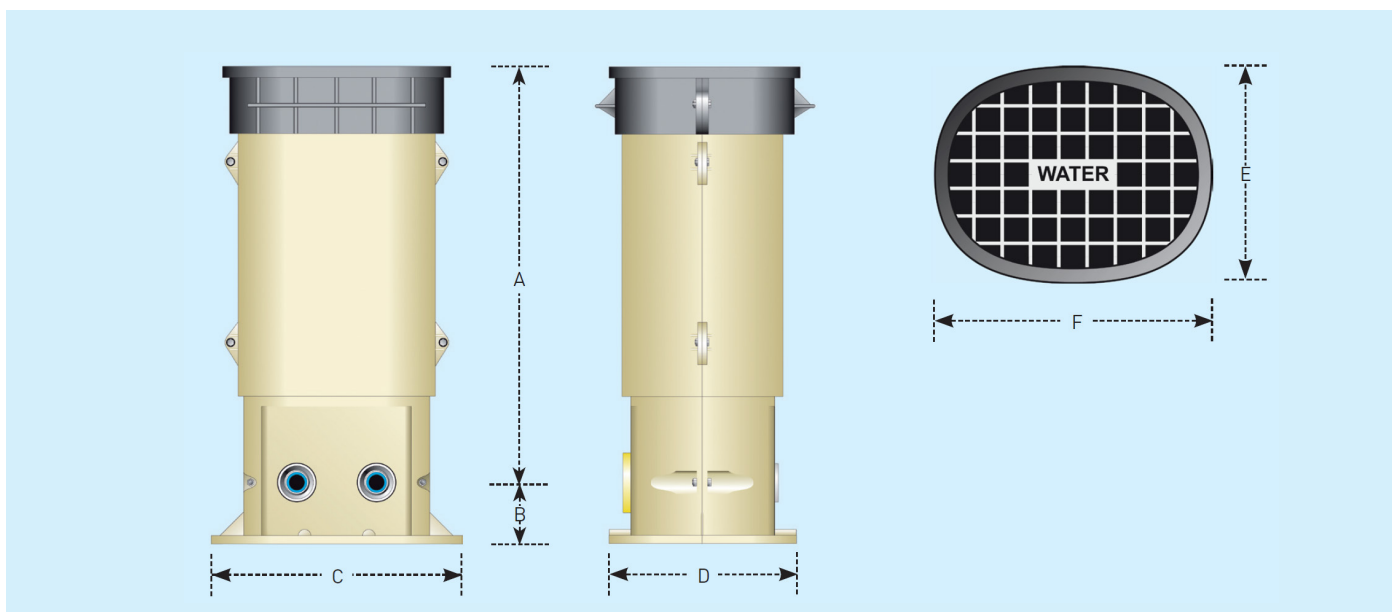
Up to 6° tilt and 30mm of final height adjustment on the surface box allows for easy and accurate alignment with surface levels and gradients.

The outlets on the double box have an 'eye ball' angular adjustment to help installation in congested trench conditions.

ATPLAS

Below Ground Boundary Box

Sealed or Unsealed Double Box



| Box | A (min/max) | B | C | D | E | F |
|--------|-------------|------|--------|--------|--------|--------|
| ATPLAS | See below | 80mm | 350 mm | 270 mm | 225 mm | 300 mm |

| Feature | Double Box |
|----------------------------|--|
| Frame & Cover | Universal 6° tilt 340mm by 260mm. Oval Pluck lid and tether - standard. Glass Filled Polyester DMC. Grade C load bearing according to WIS 4-37-01 reference BS5384-2 |
| Guard Tube Material | Glass Filled Polyester DMC (Dough Moulding Compound) |
| Guard Tube Profile | 270mm by 190mm opening ~ Stadium profile |
| Height Adjustment (approx) | 520/865mm * 30mm final height adjustment in surface box and 25mm guard tube overlap |
| Frost Protection | Sealed box: As standard in accordance with WIS 4.37.01 * Subject to deletion on request. Unsealed box: None. Please order separately |
| Water Tightness | Watertight (WIS 4.37.01) OR Unsealed |
| Shut Off Device | 2no. Rising-spindle with key (WIS 4.23.04) |
| Non Return Valve | In accordance with (WIS 5-11-01) BS EN 13959:2004 Family E Type B |
| Manifolds | Elevated arrangement in Plastic (Acetal Co-Polymer) secured into DMC nest secured in chamber, pre-plumbed per WIS 4.37.01 |
| Meter Connection | 2no. G1.5 (1½" BSP) Concentric meter-ports (typically for meters up to Qn2.5 rating) |
| Head Loss | < 3 metres @ 25 l/min flowrate with meter in accordance with WIS 4.37.01 |
| Inlet options | 32mmPF in accordance with WIS 4.32.11 |
| Outlet | 2no. 25mmPF Swivel Eyeball format in accordance with WIS 4.32.11 |
| Blanking Plugs | Full Flow (standard) - 27/28mm tapered A/F hexagonal upstand |
| Product Weight (approx) | 13.5 kg |
| Pallet Quantity | 10 per pallet |

ATPLAS

Below Ground Boundary Box Sealed or Unsealed Double Box

Double box Sealed Telescopic Plastic Raised Manifold

| Part Number | Connections | Shut off | Manifold | Height (A) | Lid |
|-------------|---------------------------|----------------|------------------|------------|-------------------------------|
| APC00396 | 32mm PF by 2 x 25mm PF | Rising spindle | Plastic - Raised | 520/865 mm | Tilting Pluck Lid Frame/Cover |
| APC00698 | 32mm PF by 2 x 25mm PF | ¼ Turn | Plastic - Raised | 520/865 mm | Tilting Pluck Lid Frame/Cover |

Double Box Unsealed Telescopic Plastic Raised Manifold

| Part Number | Connections | Shut off | Manifold | Height (A) | Lid |
|-------------|---------------------------|----------------|------------------|------------|-------------------------------|
| DBL01165 | 32mm PF by 2 x 25mm PF | Rising Spindle | Plastic - Raised | 520/865 mm | Tilting Pluck Lid Frame/Cover |
| DBL01188 | 32mm PF by 2 x 25mm PF | ¼ Turn | Plastic - Raised | 520/865 mm | Tilting Pluck Lid Frame/Cover |

www.talis-uk.com



TALIS UK

Brackla Industrial Estate
Bridgend, Wales CF31 2AX
United Kingdom

PHONE +44 (0)845 077 9797

FAX +44 (0)845 077 9798

E-MAIL enquiries@talis-group.com

INTERNET www.talis-uk.com

Note: Specifications may be changed without notification at any time. Copyright: No copying without express written permission of TALIS.

TALIS is a Registered Trademark. (01/16)