

ATPLAS Below Ground Boundary Box Sealed Ridgid Plastic Base 4 Port Multi-Manifold



Benefits

An oblong shaped chamber helps prevent rotation and is intended to transfer any torque resulting from meter installation / removal to the ground around, through the 'flat sides' avoiding impact on service connections.

The Rising-Spindle Stop-valve design helps minimise damage through possible over-tightening, using a piston and bore arrangement with positive stop points and torque failsafe in the key and valve cap. The box is also available with a quarter turn valve instead.

Non-return valve can be replaced in-situ using appropriate tools and with regard for local regulations and working practices.

Water flow is assisted by the DN20 nominal bore through the manifold, with its non-return valve adapted to suit the concentric G1.5 meter interface.

The robust plastic surface box has a load bearing capacity of over 30 kN.

Up to 6° tilt and 38mm of final height adjustment on the surface box allows for easy and accurate alignment with surface levels and gradients.

The outlets on the multimanifold box have an 'eye ball' angular adjustment to help installation in congested trench conditions.

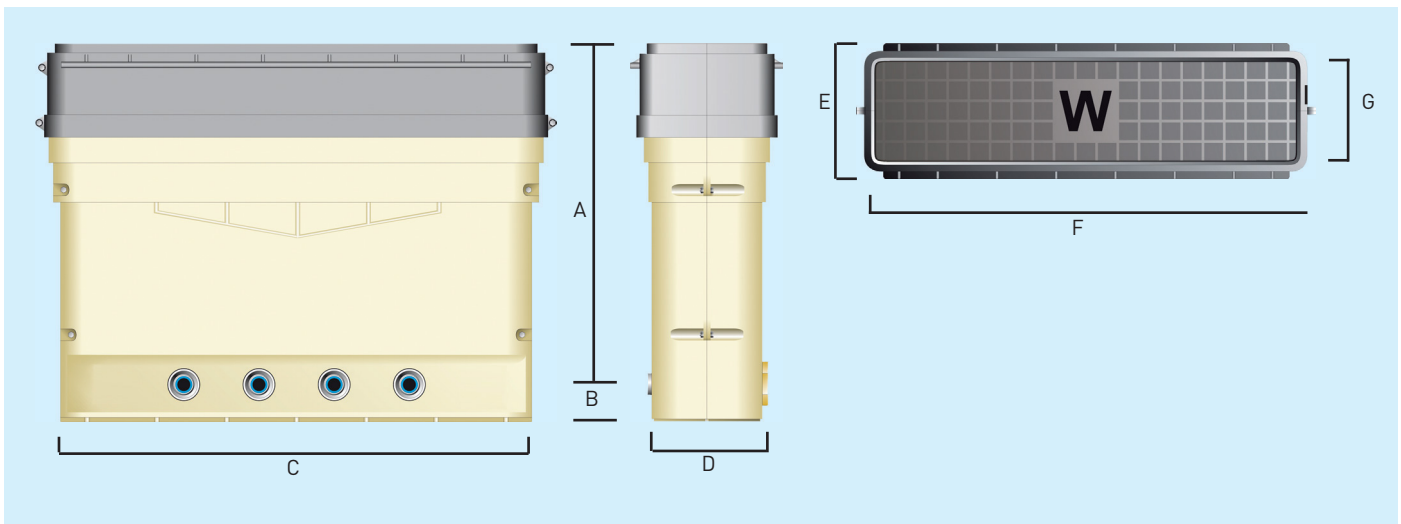
4 Port Multi-manifold box Sealed Telescopic Plastic Raised Manifold

Part Number	Connections	Shut off	Manifold	Height (A)	Lid
APC00853	2" BSP Female by 4 x 25mm PF	Rising spindle	4 Port Plastic - Raised	410-770mm	Tilting Pluck Lid Frame/Cover
APC00700	2" BSP Female by 4 x 25mm PF	¼ Turn	4 Port Plastic - Raised	410-770mm	Tilting Pluck Lid Frame/Cover

Atplas Below Ground Boundary Boxes

2" BSP and 25mm push fit Class 1.R.C

Feature	Multi-manifold
Frame & Cover	Universal 6° tilt 750mm by 200mm. Pluck lid (Lifting Handles incorporated). Glass Filled Polyester DMC. Grade C load bearing according to WIS 4-37-01 reference BS5384-2
Guard Tube Material	Glass Filled Polyester DMC (Dough Moulding Compound)
Guard Tube Profile	700mm by 160mm opening ~ Stadium profile
Height Adjustment (approx)	Sealed: 410mm to 770mm * 38mm final height adjustment in surface box * Height adjusted with 90mm and 180mm Riser sections
Frost Protection	Sealed: As standard in accordance with WIS 4.37.01
Water Tightness	Watertight (WIS 4.37.01)
Shut Off Device	Rising-spindle (WIS 4.23.04)
Non Return Valve	In accordance with (WIS 5-11-01) BS EN 13959:2004 E Type B
Manifolds	Elevated arrangement in Plastic (Acetal Co-Polymer) secured into DMC nest secured in chamber, pre-plumbed per WIS 4.37.01
Meter Connection	G1.5 (1½" BSP) Concentric Meter-port (typically for Meters up to Qn2.5 rating)
Head Loss	< 3 metres @ 25 l/min flowrate with meter in accordance with WIS 4.37.01
Inlet options	2" F BSP threaded Gun-metal
Outlet	4 x 25mmPF Swivel Eyeball format in accordance with WIS 4.32.11
Blanking Plugs	Full Flow (standard) - 27/28mm tapered A/F hexagonal upstand
Product Weight (approx)	45 kg
Pallet Quantity	5 per pallet



Box	A (Min/Max)	B	C	D	E	F	G
ATPLAS	410/770mm	70mm	735mm	197mm	286mm	748mm	202mm (Top frame)

TALIS UK

Brackla Industrial Estate
Bridgend, Wales CF31 2AX
United Kingdom

PHONE +44 (0)845 077 9797

FAX +44 (0)845 077 9798

E-MAIL enquiries@talis-group.com

INTERNET www.talis-uk.com



Note: Specifications may be changed without notification at any time. Copyright: No copying without express written permission of TALIS