

EBCO Below Ground Boundary Box Unsealed Rigid Plastic Raised Manifold



25mm PE Tails
Class 2.R

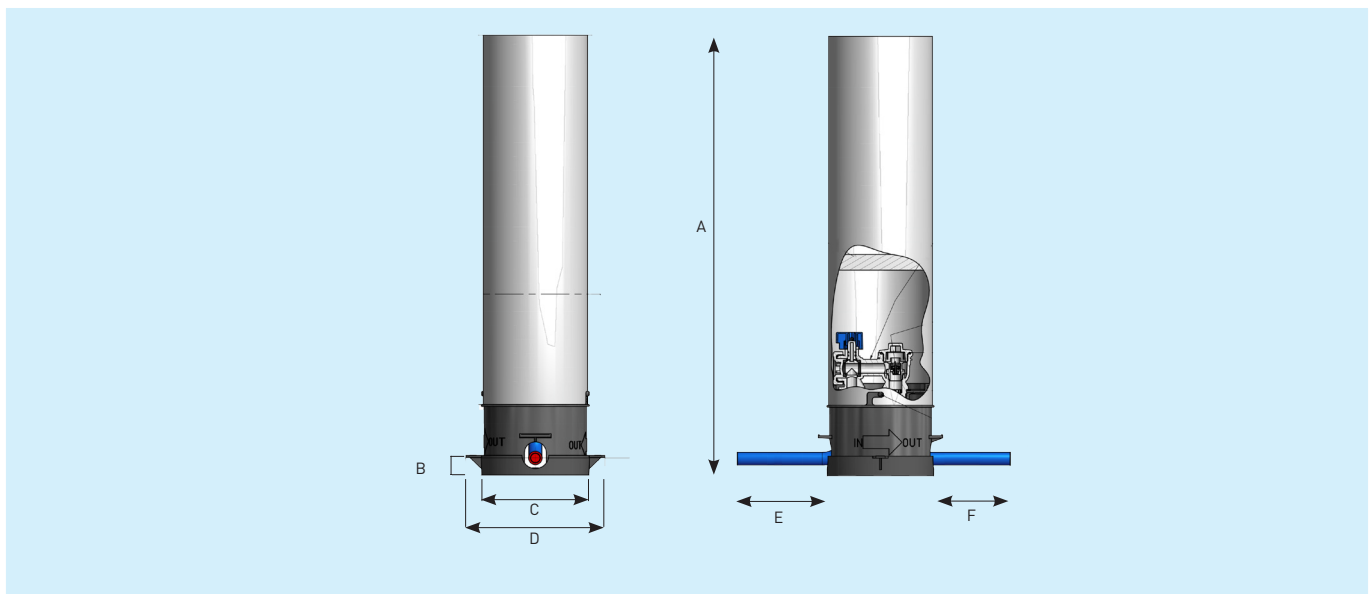
12 Bar pressure rating Grade C load bearing

Part Code	Connections	Shut Off	Manifold Style	Height
MBR0905	25 mm Tails	¼ Turn	Raised/Plastic	813 mm

EBCO Below Ground Boundary Box

25mm Tails Class 2.R

Feature	Specification
Guard Tube Material	PVC
Guard Tube Profile	Cylindrical with 200mm diameter / 4mm wall PVC tube Bayonet quick fit assembly
Height (approx)	Fixed at 813mm
Frost Protection	As standard in accordance with BSEN13959:2004 Family E Type B (Previously WIS 4-37-01)
Water Tightness	Unsealed - Class 2.R
Shut Off Device	¼ turn with fan-head
Non Return Valve	In accordance with WIS 5-11-01
Manifold	Raised style in Plastic (Acetal Co-Polymer)
Meter Connection	1½" BSP concentric meter port [typically for Meters up to Qn 2.5 m³/hr]
Head Loss	< 3 metres @ 25 l/min flow rate with meter in accordance with WIS 4.37.01
Inlet	25 mm tails for PE pipe retained in accordance with WIS 4-32-11
Outlet	25 mm tails for PE pipe retained in accordance with WIS 4-32-11
Blank Plugs	Full Flow (standard), Trickle Flow (optional), No Flow (optional) all in Acetal. 27/28 mm tapered A/F hexagonal upstand
Product Weight (approx)	5.0 kg
Pallet Quantity	20 per pallet
Tools	BOP77011: 27mm socket for meter plug BOP77008: Short T bar 400mm long BOP77009: T bar extension 500mm long WMB327: T bar and key for NRV



Box	A	B	C	D	E	F
EBCO	813mm	33mm	208mm	266mm	172mm	146mm

TALIS UK

Brackla Industrial Estate
Bridgend, Wales CF31 2AX
United Kingdom

Phone: +44 (0)845 077 9797

Fax: +44 (0)845 077 9798

E-Mail: enquiries@talis-group.com

Web: www.talis-uk.com

Note: Specifications may be changed without notification at any time.
Copyright: No copying without express written permission of TALIS.
TALIS is a Registered Trademark. 07/16