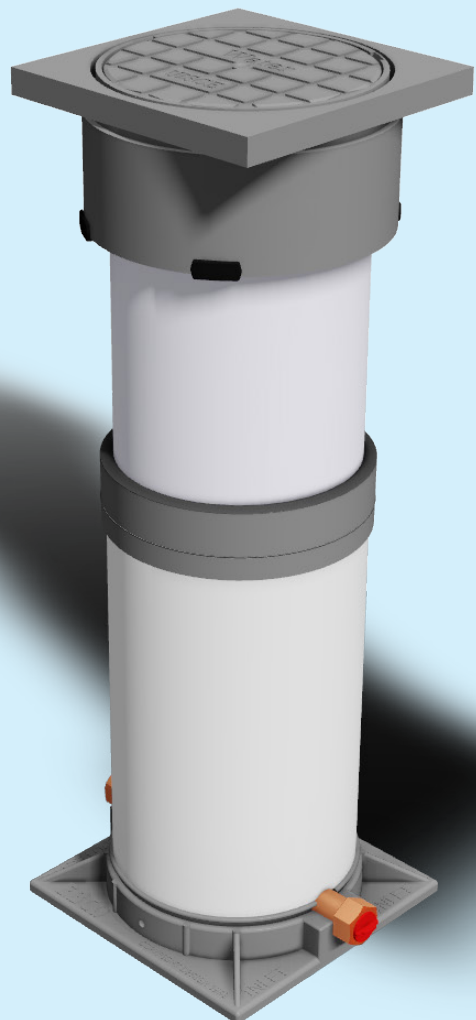


EBCO Below Ground Boundary Box For Contaminated Ground



EBCO Below Ground Boundary Boxes

3/4" BSP Female

Part Code	Connections	Shut Off	Manifold Style	Lid*
MBB2010B	3/4" Female	1/4 Turn	Base / 3/4" Gunmetal Long Base	TP (Grade B)
MBB2010C	3/4" Female	1/4 Turn	Base / 3/4" Gunmetal Long Base	TPSS (Grade C)
MBB2010	3/4" Female	1/4 Turn	Base / 3/4" Gunmetal Long Base	SSSH (Grade C)

* Lid marked 'WATER'

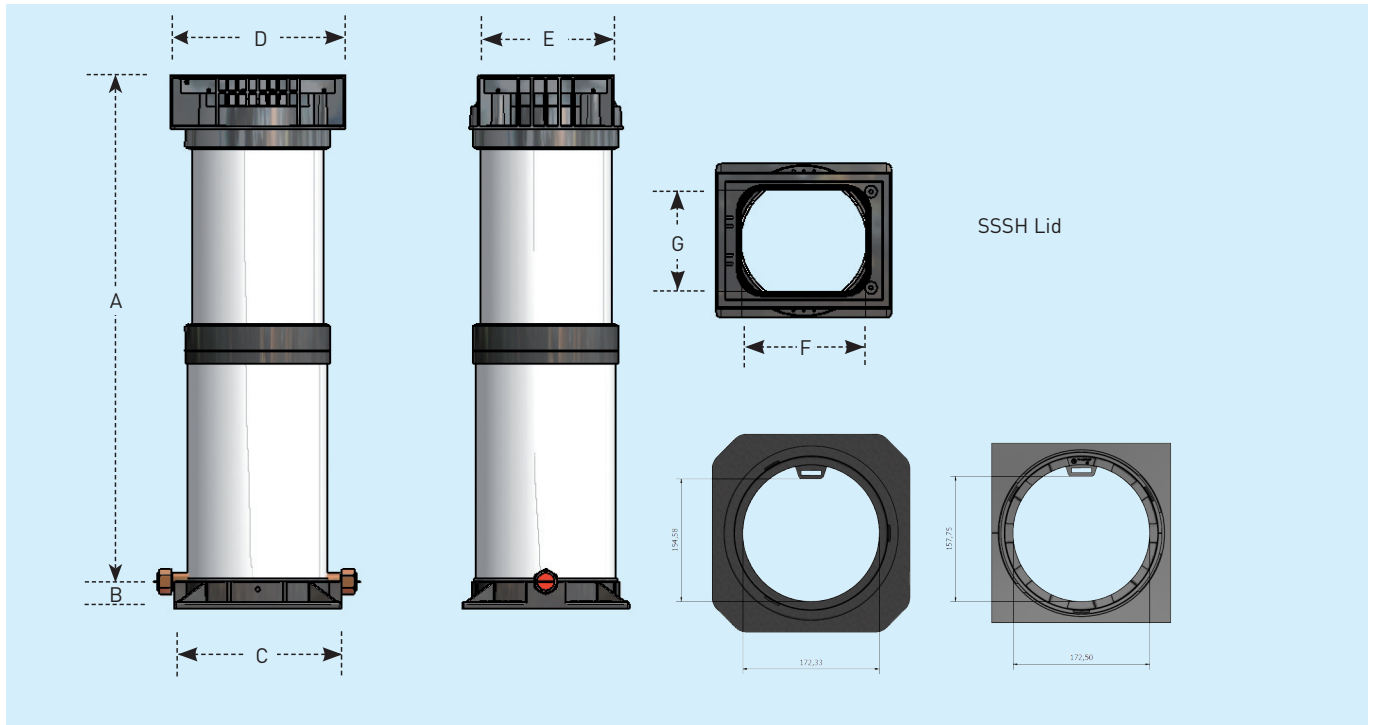
Key to Table Acronyms

TP: Tilt / Pluck
TPSS: Tilt / Pluck / Swivel / Square
SSSH: Snap Shut / Sealed / Hinged

Feature	Specification
Frame & Cover	Pluck Lid: Universal 8° tilt. Pluck lid. Square swivel plate. Lid tether as standard. Hinged Lid: Universal 6° tilt. Rectangular frame and lid. Sealed, hinged with snap shut lid or lockable lid. 30mm of final height adjustment. Glass Filled Polypropylene. Grade C or Grade B load bearing according to BS 5834-2.
Guard Tube Material	PVC
Guard Tube Profile / Thickness	Cylindrical with 188/200mm diameter / 4mm
Height Adjustment (approx.)	475mm to 770mm (inc. surface box height adjustment and 25mm guard tube overlap)
Frost Protection	As standard in accordance with BS 5834-1
Water Tightness	Watertight
Shut Off Device	1/4 turn with fan head
Non Return Valve	In accordance with BS EN 13959 Family E Type B
Manifold	Base style; 3/4" Gunmetal Long
Meter Connection	1 1/2" BSP concentric meters to BSEN ISO 4064 Q3 4.0 (Qn2.5)
Head Loss	< 3 metres @ 25 l/min flow-rate with meter
Inlet	3/4" BSP Female or 22mm copper
Outlet	3/4" BSP Female or 22mm copper
Blanking Plugs	Plastic Dust Cap (standard), Acetal Full Flow ¹ (optional), Gunmetal Full Flow ² (optional), Acetal Trickle Flow ³ (optional), Acetal No Flow ³ (optional). ¹ 27/28mm tapered A/F hexagonal upstand. ² 24mm A/F hexagonal upstand. ³ 28mm A/F hexagonal upstand
Product Weight (approx.)	5.8 kg
Pallet Quantity	40 per pallet
Tools	APC00598: Lid pluck tool WMB78: Key for lockable lid BOP77011: 27mm socket for meter plug and NRV BOP77008: Short T bar 400mm long BOP77009: T bar extension 500mm long

EBCO Below Ground Boundary Boxes

3/4" BSP Female



Box	A (min/max)	B	C	D	E	F	G
MBB2010B	475/770mm	40mm	240mm	250mm	250mm	172mm	154mm
MBB2010C	475/770mm	40mm	240mm	226mm	226mm	172mm	157mm
MBB2010	475/770mm	40mm	240mm	251mm	220mm	178mm	145mm

TALIS UK

Brackla Industrial Estate
 Bridgend, Wales CF31 2AX
 United Kingdom

PHONE +44 (0)845 077 9797

FAX +44 (0)845 077 9798

E-MAIL enquiries@talis-group.com

INTERNET www.talis-uk.com



Note: Specifications may be changed without notification at any time.
 Copyright: No copying without express written permission of TALIS.
 TALIS is a Registered Trademark. DS_MBB2010 (04/17)