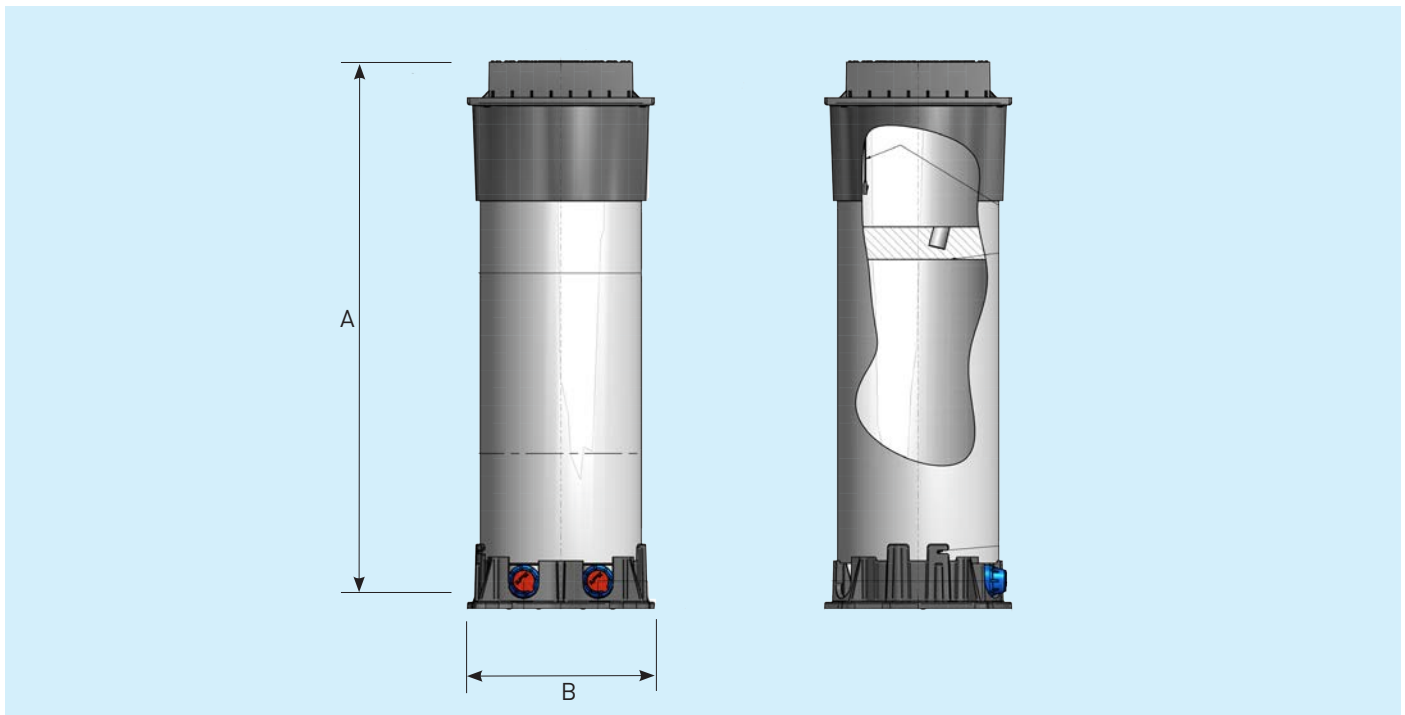


## EBCO Unsealed Rigid Twin Box



# EBCO Unsealed Rigid Twin Box

Inlet 2 x 25mm BPF by Outlet 2 x 25mm BPF



Box	Twin	Inlet and Outlet	Shut Off	Manifold	A	B	Lid
EBCO - MBB0931SB3	Twin	2 x 25mm BPF	¼ turn valves	Plastic Base	802-930mm	290mm	Tilt pluck swivel square

Feature	Rigid Unsealed
Frame & Cover (where provided)	Tilt pluck swivel square Polypropylene. Grade C load bearing according to WIS 4-37-01.
Guard Tube Material	PVC
Guard Tube Profile	Cylindrical with 250 mm diameter / 5.3-5.7mm thick
Height Adjustment (approx)	802-930mm * 25mm guard tube overlap
Frost Protection	As standard in accordance with WIS 4-37-01
Water Tightness	Unsealed
Shut Off Device	2 x ¼ turn valves
Non Return Valve	In accordance with (WIS 5-11-01) BS EN 13959:2004 Family E Type B
Manifold	Base style in plastic (Acetal Co-Polymer) secured to manifold holder at bottom of chamber, pre-plumbed per WIS 4.37.01
Meter Connection	G1.5 (1½" BSP) Concentric meter-port (typically for meters up to Qn2.5 rating)
Head Loss	< 3 metres @ 25 l/min flow-rate with meter in accordance with WIS 4-37-01
Inlet options	2 x 25mm BSP Thread in accordance with WIS 4-32-11
Outlet	2 x 25mm BSP Thread in accordance with WIS 4-32-11
Blanking Plugs	Full flow
Product Weight (approx)	10kg
Pallet Quantity (approx)	12 per pallet

Note: Specifications may be changed without notification at any time. Copyright: No copying without express written permission of TALIS. TALIS is a Registered Trademark. MBB0931SB3 (11/15)

## TALIS UK

Brackla Industrial Estate  
Bridgend, Wales CF31 2AX  
United Kingdom

PHONE +44 (0)845 077 9797

FAX +44 (0)845 077 9798

E-MAIL [enquiries@talis-group.com](mailto:enquiries@talis-group.com)

INTERNET [www.talis-uk.com](http://www.talis-uk.com)