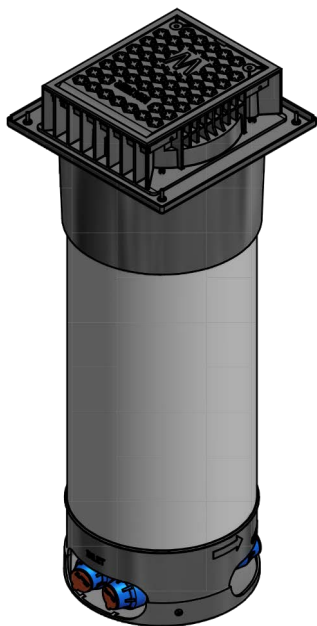
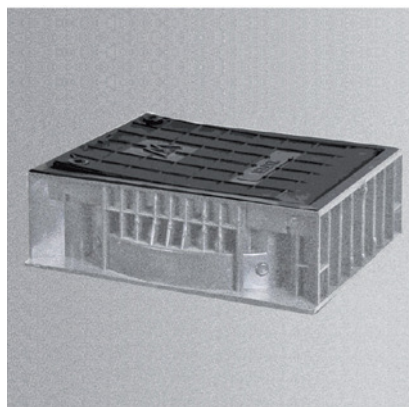


EBCO Below Ground Boundary Box Unsealed Raised Plastic Manifold



Twin In 25mm Pushfit, Twin Out 25mm Pushfit
Connections Class 2.R.C
12 Bar pressure rating Grade C load bearing



Hinged

Part Code	Connections	Shut Off	Manifold Style	Height	Lid*
MBR5050	Twin In 25mm Pushfit Twin Out 25mm Pushfit	1/4 Turn	Raised Acetal	772-897mm	SSUH

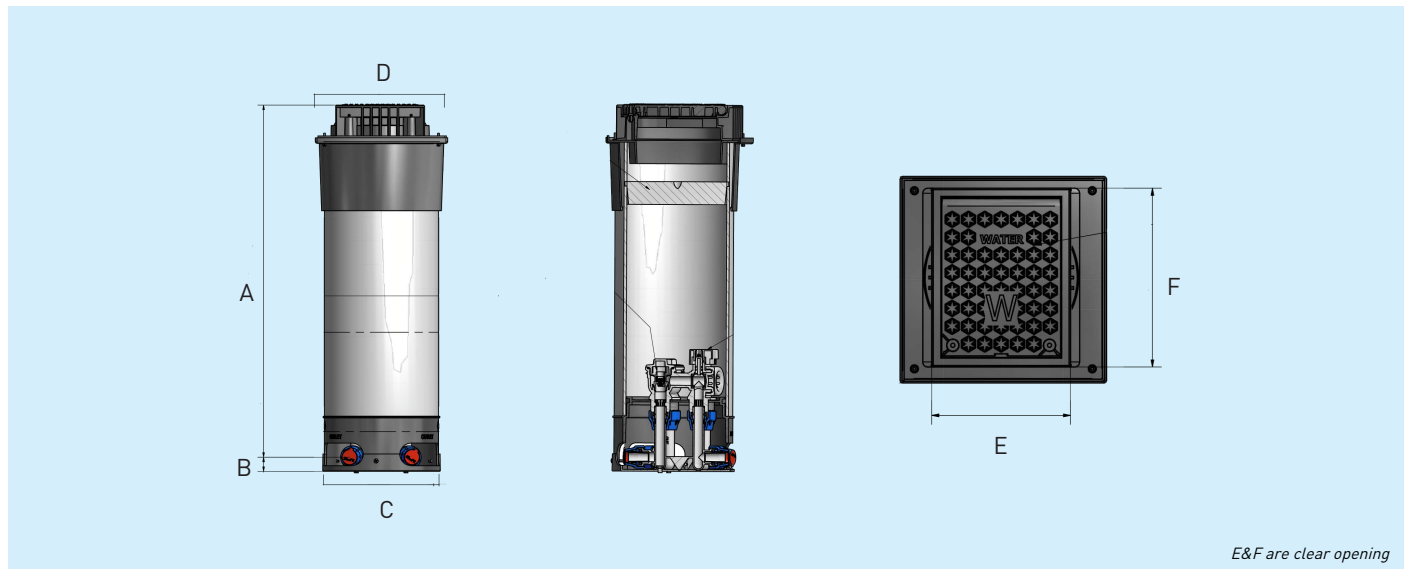
* Lid marked "Water"

Key to Table Acronyms

SSUH: Snap / Shut / Unsealed / Hinged

EBCO Below Ground Boundary Box Unsealed Raised Acetal Manifold

Feature	Specification
Frame and Cover	Universal 4° tilt. Rectangular frame and lid. Sealed or unsealed, hinged with snap shut lid. 150mm of final height adjustment. Impact Grade Polypropylene, Grade C load bearing according to WIS 4-37-01 Available without surface box
Guard Tube Material	PVC
Guard Tube Profile	Cylindrical with 250mm diameter / 6mm
Height Adjust (approx)	772-897mm (inc surface box height adjustment)
Frost Protection	As standard in accordance with WIS 4-37-01
Water Tightness	Non-watertight
Shut Off Device	1/4 Turn with fan head
Non Return Valve	In accordance with WIS 5-11-01
Manifold	Raised Acetal
Meter Connection	1 1/2" BSP concentric meters up to Qn 2.5m ³ /hr
Head Loss	< 3 meters @ 25 l/min flowrate with meter
Inlet	Twin 25mm Pushfit
Outlet	Twin 25mm Pushfit
Blank Plugs	1 1/2" meter housing dust cap
Product Weight (approx)	10kg
Pallet Quantity (approx)	15 per pallet
Tools	BOP77011: 27mm socket for meter plug BOP77008: Short T bar 400mm long BOP77009: T bar extension 500mm long WMB327: Key for meter plug & NVR



Box	A	B	C	D	E	F
EBCO	772-897mm	32mm	260mm	290mm	178mm	145mm

TALIS UK

Brackla Industrial Estate
Bridgend, Wales CF31 2AX
United Kingdom

Phone: +44 (0)845 077 9797

Fax: +44 (0)845 077 9798

E-Mail: enquiries@talis-group.com

Web: www.talis-uk.com



Note: Specifications may be changed without notification at any time.
Copyright: No copying without express written permission of TALIS UK.