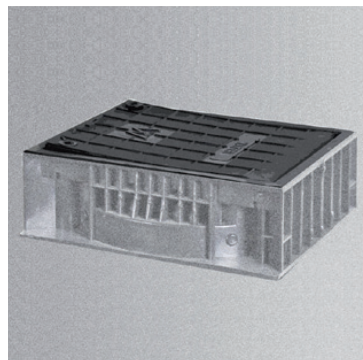


EBCO Below Ground Boundary Box Unsealed Rigid Gunmetal Base Manifold



32mm PE and 1" BSP Female
Connections Class 2.R.C

12 Bar pressure rating Grade C load bearing (where applicable)



Hinged

Part Code	Connections	Shut Off	Manifold Style	Height	Lid*
MBB0800	32mm PF	¼ Turn	Base / ¾" Gunmetal	570mm	-
MBB0820	32mm PF	360°	Base / ¾" Gunmetal	680mm	-
MBB0880	32mm PF	¼ Turn	Base / ¾" Gunmetal	765-915mm ¹	SSUH
MBB0801	1" Female	¼ Turn	Base / ¾" Gunmetal	570mm	-
MBB0870	1" Female	¼ Turn	Base / ¾" Gunmetal	765-915mm ¹	SSSH
MBB0901	1" Female	Screwdown ½" Square	Base / ¾" Gunmetal	680mm	-
MBB0900	1" Female	Screwdown ½" Square	Base / ¾" Gunmetal	765-915mm ¹	SSSH ²

* Lid marked 'WATER'

¹ Including surface box height adjustment

² Touch pad hole in lid

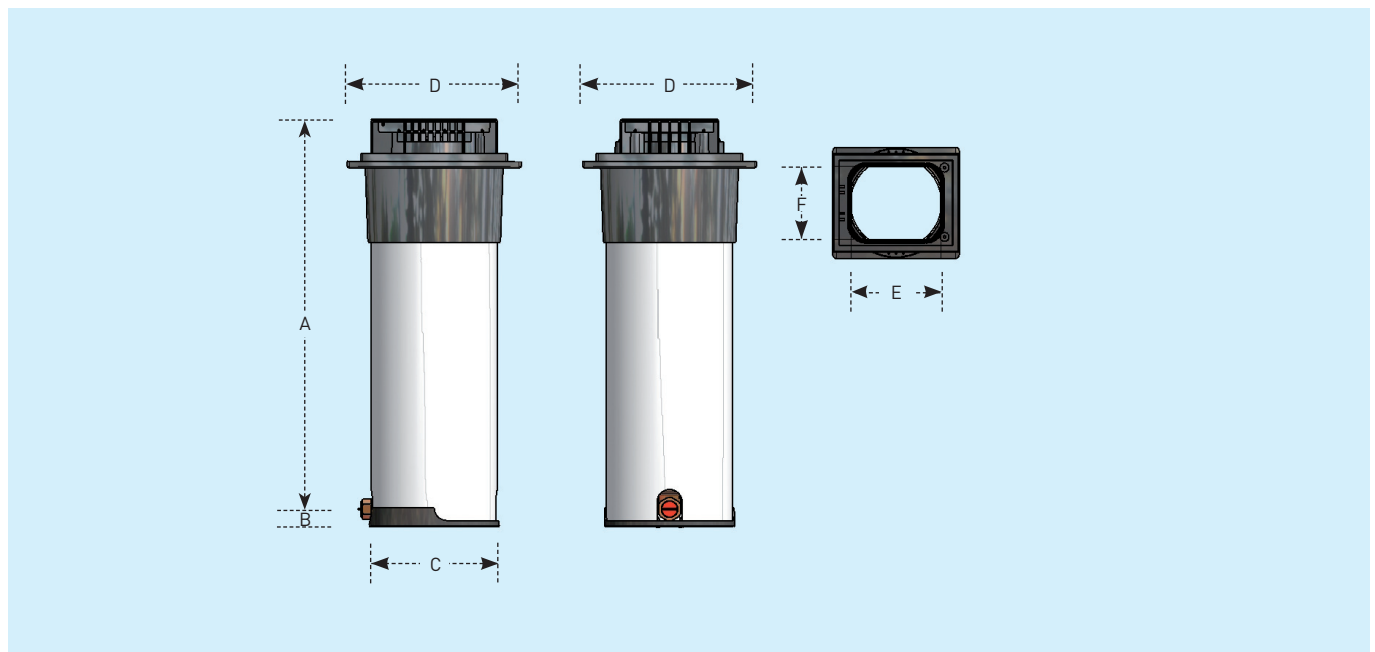
Key to Table Acronyms

SSUH: Snap Shut / Unsealed / Hinged	SSSH: Snap Shut / Sealed / Hinged
-------------------------------------	-----------------------------------

Ebco Below Ground Boundary Boxes

32mm push fit and 1" BSP Class 2.R.C

Feature	Specification
Frame and Cover	Universal 4° tilt. Rectangular frame and lid. Sealed or unsealed, hinged with snap shut lid. 150mm of final height adjustment. Glass Filled Polypropylene. Grade C load bearing according to WIS 4-37-01. Available without surface box
Guard Tube Material	PVC
Guard Tube Profile / Thickness	Cylindrical with 250mm diameter / 6mm
Height Adjustment (apr.)	570mm to 915mm (inc. surface box height adjustment)
Frost Protection	As standard in accordance with WIS 4-37-01
Water Tightness	Non-watertight
Shut Off Device	¼ turn or 360° with fan head or screwdown with ½" AF square head
Non Return Valve	In accordance with WIS 5-11-01
Manifold	Base style; 1" Gunmetal
Meter Connection	2" BSP concentric meters up to Qn 3.5m ³ /hr
Head Loss	< 3 metres @ 25 l/min flowrate with meter
Inlet	32mm push fit for PE pipe in accordance with WIS 4-32-11 or 1" BSP female
Outlet	32mm push fit for PE pipe in accordance with WIS 4-32-11 or 1" BSP female
Blanking Plugs	Gunmetal Full Flow ² (standard). Optional using 2" to 1½" meter housing adaptor; Acetal Full Flow ¹ , Acetal Trickle Flow ² , Acetal No Flow ² . ¹ 27/28mm tapered A/F hexagonal upstand. ² 28mm A/F hexagonal upstand
Product Weight (approx.)	7.0kg to 10.0kg
Pallet Quantity	20 per pallet
Tools	MHA0806: Gunmetal meter housing adaptor converts 2" inlet to 1½" APC00598: Lid pluck tool BOP77011: 27mm socket for meter plug and NRV BOP77008: Short T bar 400mm long BOP77009: T bar extension 500mm long



Box	A [min/max]	B	C	D	E	F
EBCO	570/915 mm	35 mm	258 mm	290mm	178 mm	145 mm

TALIS UK

Brackla Industrial Estate, Bridgend, Wales

CF31 2AX United Kingdom

Phone: 0845 077 9797, Fax: 0845 077 9798

E-Mail: enquiries@talis-group.com, Web: www.talis-uk.com

