

# EBCO Below Ground Boundary Box Sealed or Unsealed Telescopic Manifold



Hinged Lid (SSSH)  
Manifold in Gunmetal

Pluck Lid (TPSS)  
Manifold in Plastic

## Benefits

A light one piece unit with a slope/tilt plastic lid secured to the upper guard tube. Both the inner and outer guard tube can be removed from the base during installation and cut to site requirement if needed. Height adjustment from 550 to 900mm, 360° rotational, 6° slope/tilt alignment with hinged lid and 8° tilt with pluck lid.

## Telescopic Chambers

- Manifolds in gunmetal or plastic.
- Manifolds in base or raised pattern
- Available with Hinged lid or Pluck Lid designs
- Plastic Manifolds 12 bar pressure rating
- Gunmetal Manifolds 16 bar pressure rating



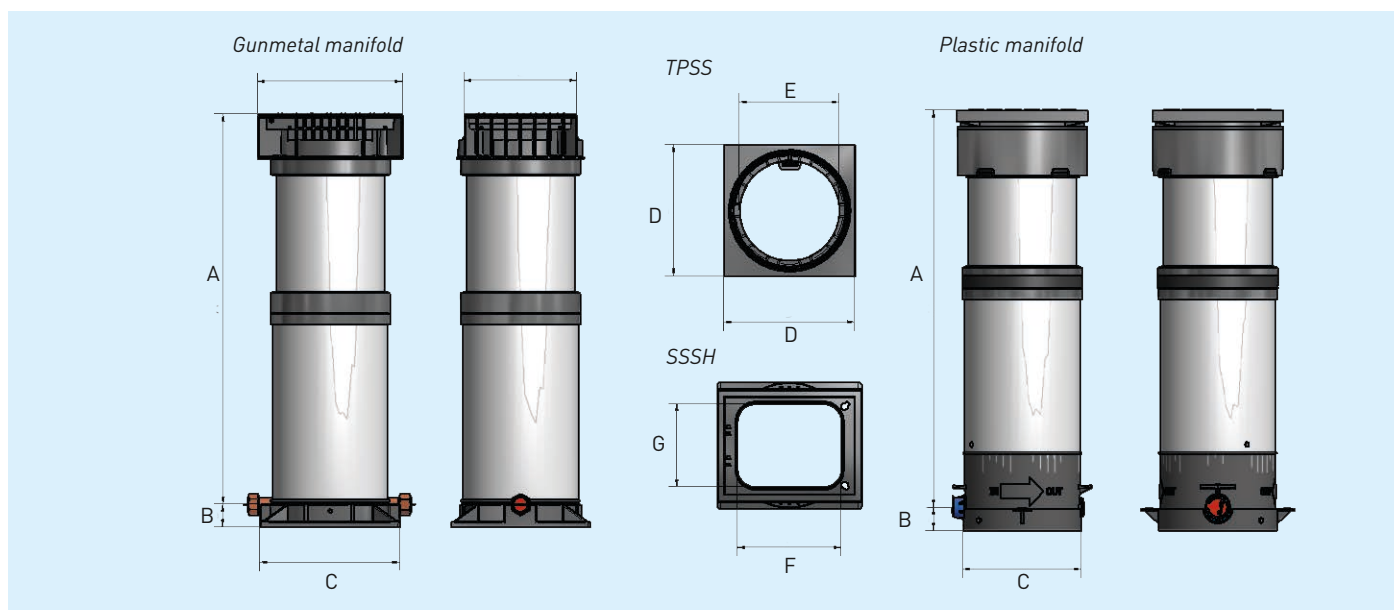
## Sealed Telescopic

Part Number	Connections	Shut off	Manifold	Height (A)	Lid
MBR1120	25mm BPF	¼ Turn	Plastic - Raised	568-878mm	Tilt Pluck Swivel Square (UISCE Lid)
MBB2010	3/4" Female	¼ Turn	Gunmetal - Base	470-730mm	Snap-shut Sealed Hinged

## Unsealed Telescopic Plastic Manifold

Part Number	Connections	Shut off	Manifold	Height (A)	Lid
MBB1100	25mm BPF	¼ Turn	Plastic - Base	560-820mm	Tilt Pluck Swivel Square
MBR1100	25mm BPF	¼ Turn	Plastic - Raised	610-880mm	Tilt Pluck Swivel Square
MBR1000/UN	25mm BPF	¼ Turn	Plastic - Raised	565-860mm	Snap Shut Unsealed Hinged

# EBCO Below Ground Boundary Box Sealed or Unsealed Telescopic | Gunmetal



Box	A (min/max)	B	C	D	E	F	G
EBCO Gunmetal	See below	40mm	242mm	225mm	195mm	178mm	145mm
EBCO Plastic	See below	40mm	208mm	225mm	173mm	N/A	N/A
EBCO Plastic MBR100/UN	See below	40mm	208mm	251mm	195mm	178mm	145mm

Feature	Single Telescopic
Frame & Cover	Hinged Lid: Universal 6° tilt. Rectangular frame and lid. Sealed, hinged with snap shut lid or lockable lid. 30mm of final height adjustment. Pluck Lid: Universal 8° tilt. Pluck lid. Square swivel plate. Lid tether as standard. Glass Filled Polypropylene. Grade C load bearing according to WIS 4-37-01
Guard Tube Material	PVC
Guard Tube Profile	Cylindrical with 188/200 mm diameter / 4 mm
Height Adjustment (approx)	475mm to 770mm (inc. surface box height adjustment and 25mm guard tube overlap)
Frost Protection	As standard in accordance with WIS 4-37-01.
Water Tightness	Watertight (WIS 4.37.01) OR Unsealed
Shut Off Device	¼ turn valve in Plastic or Gunmetal
Non Return Valve	In accordance with (WIS 5-11-01) BS EN 13959:2004 Family E Type B
Manifold	Raised or Base style in Plastic or Gunmetal
Meter Connection	G1.5 (1½" BSP) Concentric Meter-port (typically for Meters up to Qn2.5 rating)
Head Loss	< 3 metres @ 25 l/min flow-rate with meter in accordance with WIS 4-37-01
Inlet options	25mmPF or ¾" F BSP in accordance with WIS 4-32-11
Outlet	Outlet as per selected inlet
Blanking Plugs	Full flow (standard) 27/28 tapered A/F hexagonal upstand. Plastic dust cap if required.
Product Weight (approx)	4.8 kg - 5.8 kg
Pallet Quantity	40 per pallet