

EBCO Below Ground Boundary Unsealed Telescopic Plastic Base



EBCO Below Ground Boundary Boxes

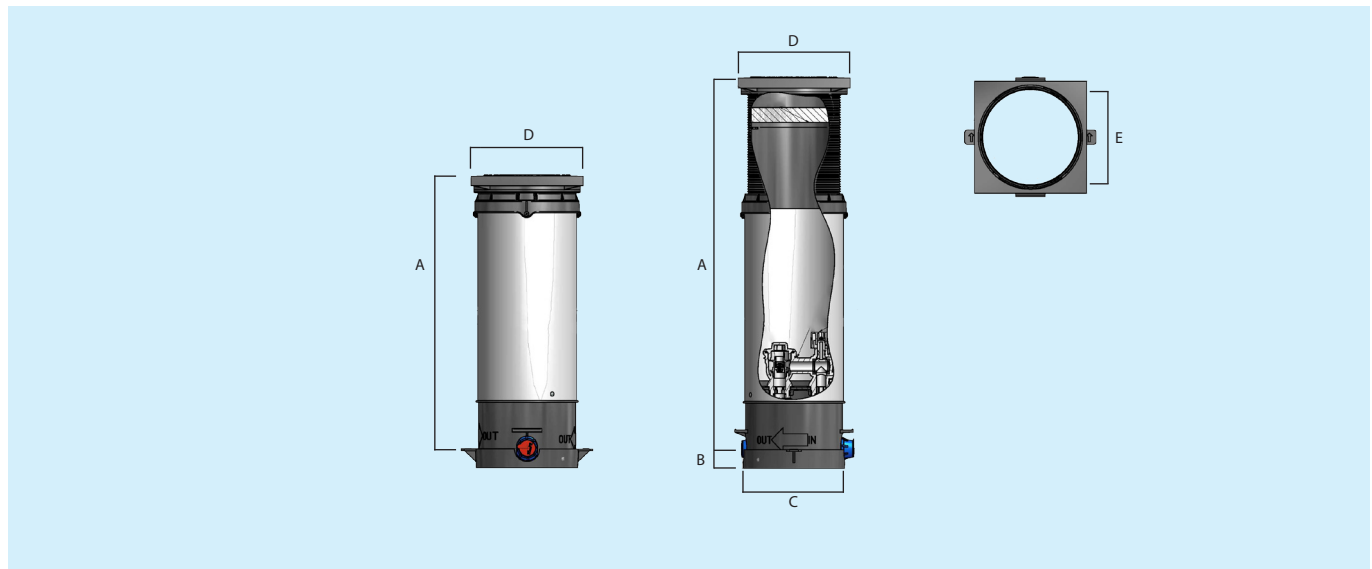
25mm PE Connections Class 2.S.C

Part Code	Connections	Shut Off	Manifold Style	Height	Lid
MBR1200	25mm PF	¼	Raised / ¾ Plastic	550-750 mm	TPS
MBR1200B	25mm PF	¼	Raised / ¾ Plastic	550-750 mm	TPS
MBR1200BK	25mm PF	¼	Raised / ¾ Plastic	550-750 mm	TPS

Feature	Connections
Frame & Cover	Plastic Grade C Pluck lid and square plate assembly
Ratchet Sleeve	Polypropylene 200mm Adjustment
Guard Tube Material	PVC
Guard Tube Profile	Cylindrical 200mm diameter
Height Adjustment	550mm- 750mm Telescopic Guard tube format adjustable to suit levels.
Frost Protection	In accordance with WIS 4.37.01
Water Byelaws	Designed for installation in compliance with Water Regulations
Watertightness	Class 2 Non-watertight box as defined in WIS 4.37.01 (Class 2.S.C)
Shut Off Device	Plastic ¼ turn Spherical valve. WIS 4-23-04
Non Return Valve	WIS 5-11-01
Manifold	Preplumbed using materials approved under the Water Supply Regulations 1989 Sections 25 & 26
Meter Connection	1½ BSP to WIS 4.37.01, designed to accept currently available standard concentric meters including encoding and radio read types
Headloss	Headloss of 2.6m at a flow rate of 25 l/min. (USING KENT QN 1.5 MSM METER)
Inlet	25mmPF for use with 25mm MDPE
Outlet	25mmPF for use with 25mm MDPE
Blanking Plugs	40e Flow (Yellow) or No Flow (Red) - As Spares
Product Weight	4.2 Kg
Pallet Quantity	40 per pallet

Key to Table Acronyms

TSP= Tilt Pluck Square



BOX	A [min/max]	B	C	D	E
EBCO	550/750mm	40 mm	208 mm	225 mm	173 mm

Note: Specifications may be changed without notification at any time.
 Copyright: No copying without express written permission of TALIS.
 ERHARD is a Registered Trademark. 46276 EN (12/14)

