

EBCO Below Ground Boundary Unsealed Telescopic Plastic Base



EBCO Below Ground Boundary Boxes

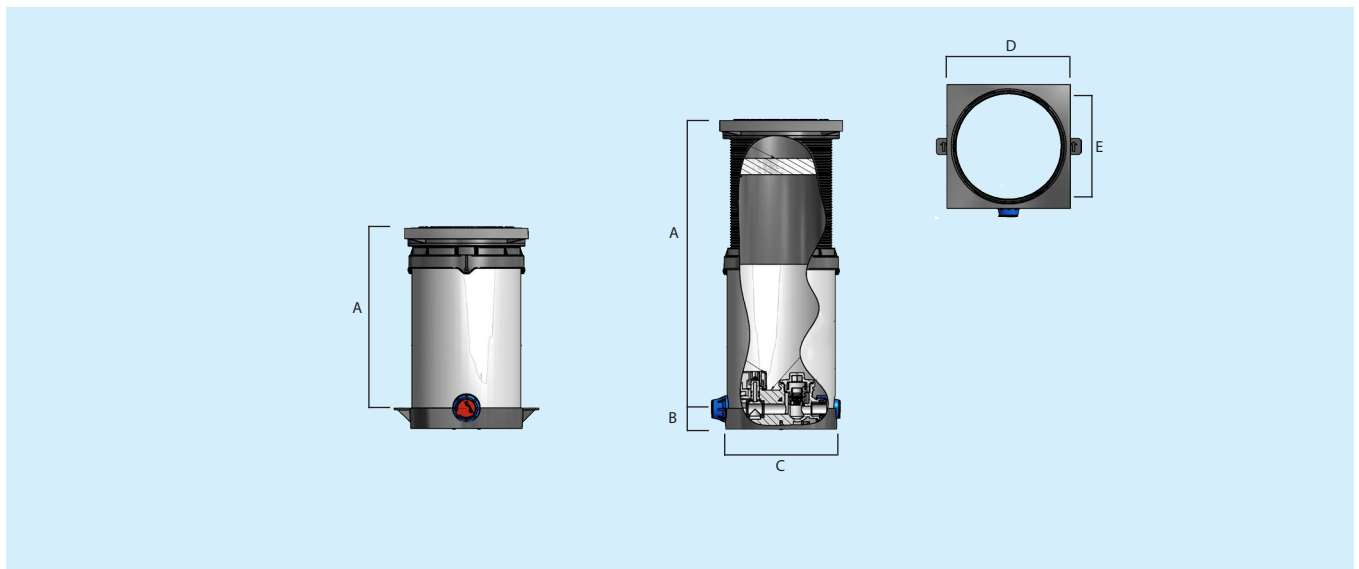
25mm PE Connections Class 2.S.C

Part Code	Connections	Shut Off	Manifold Style	Height	Lid
MBB1200	25mm PF	¼ Turn	Base / Plastic	330- 530mm	TPS
MBB1200B	25mm PF	¼ Turn	Base / Plastic	330- 530mm	TPS
MBB1200BK	25mm PF	¼ Turn	Base / Plastic	330- 530mm	TPS
MBB1201S	25mm PF	¼ Turn	Base / Plastic	290-490mm	TPS

Feature	Connections
Frame & Cover	Pluck lid. Square swivel plate. Lid tether as standard. Polypropylene. Grade C load bearing according to WIS 4-37-01
Ratchet Sleeve	Polypropylene 200mm Adjustment
Guard Tube Material	PVC
Guard Tube Profile	Cylindrical 200mm diameter
Height Adjustment	330 mm to 530 mm Telescopic Guard tube format adjustable to suit levels.
Frost Protection	As standard in accordance with WIS 4-37-01
Watertightness	Non-watertight
Shut Off Device	¼ turn with fan head
Non Return Valve	In accordance with WIS 5-11-01
Manifold	Base style; Plastic Short (Acetal Co-Polymer)
Meter Connection	1½" BSP concentric meters up to Qn 2.5m ³ /hr
Headloss	< 3 meters @ 25l/min flowrate with meter
Inlet	25mm pushfit for PE pipe in accordance with WIS 4-32-11
Outlet	25mm pushfit for PE pipe in accordance with WIS 4-32-11
Blanking Plugs	Acetal Full Flow (standard), Acetal Trickle Flow (optional), Acetal No Flow (optional). 27/28 mm tapered A/F hexagonal upstand
Product weight	3.1 Kg
Pallet Quantity	40 per pallet
Tools	BOP77011: 27 mm socket for meter plug and NRV BOP77008: Short T bar 400 mm long BOP77009: T bar extension 500 mm long

Key to Table Acronyms

TSP= Tilt Pluck Square



BOX	A [min/max]	B	C	D	E
EBCO	330/530mm	40 mm	208 mm	225 mm	173 mm

Note: Specifications may be changed without notification at any time.
Copyright: No copying without express written permission of TALIS.
ERHARD is a Registered Trademark. 46276 EN (12/14)

