

EBCO Below Ground Boundary Box Unsealed Telescopic Plastic Base Manifold

3/4" BSP Female
Class 2.S.C

12 Bar pressure rating Grade C load bearing



Part Code	Connections	Shut Off	Manifold Style	Height	Lid*
MBB1152	3/4" BSP Female	1/4 Turn	Base/Plastic	270-385mm	TPSS

* Lid marked 'WATER'

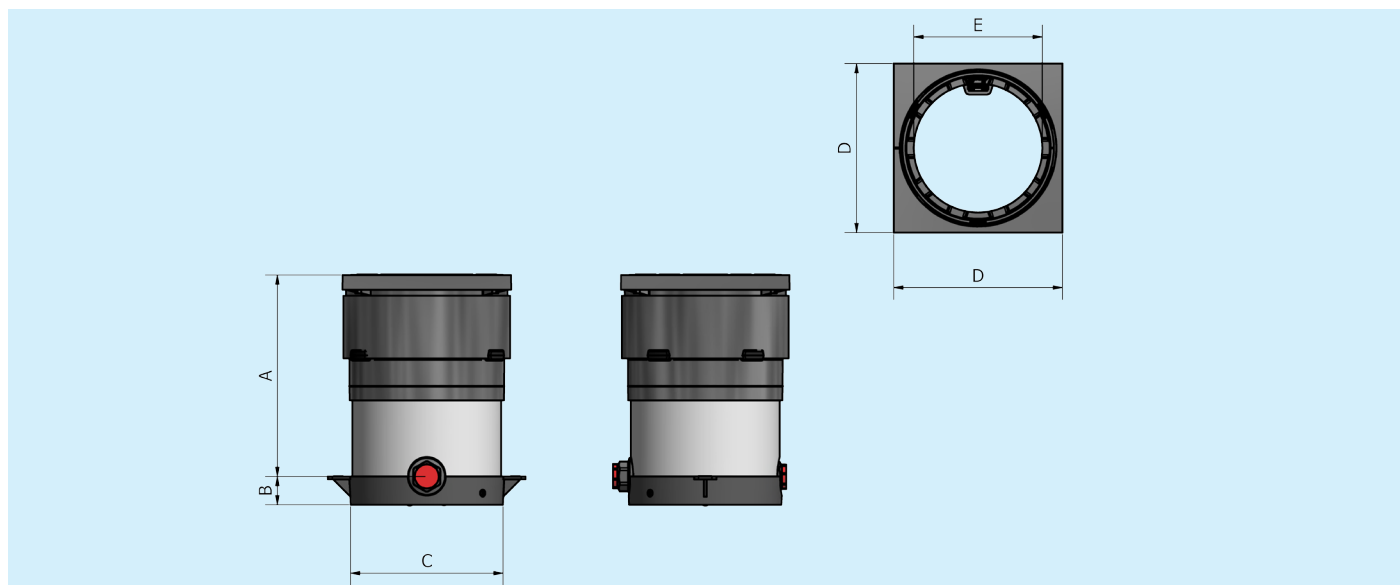
Key to Table Acronyms

TPSS: Tilt / Pluck / Swivel / Square

EBCO Below Ground Boundary Box

3/4" BSP Female Class 2.S.C

Feature	Specification
Frame & Cover	TPSS lid: Universal 8° tilt. Pluck lid, Square swivel plate. Lid tether as standard. 50mm of final height adjustment. Glass Filled Polypropylene. Grade C load bearing according to WIS 4-37-01.
Guard Tube Material	PVC
Guard Tube Profile / Thickness	Round with 188/200mm diameter / 4mm thick
Height Adjustment (approx.)	270mm to 385mm (inc. surface box height adjustment and 25mm guard tube overlap)
Frost Protection	As standard in accordance with WIS 4-37-01
Water Tightness	Non-watertight
Shut Off Device	¼ turn Spherical valve with Fan-head and Key
Non Return Valve	In accordance with BS EN 13959 Family E Type B (WIS 5-11-01)
Manifold	Base style; Plastic Short (Acetal Co-Polymer)
Meter Connection	1½" BSP concentric meters to BS EN ISO 4064 Q3 4.0 (Qn 2.5)
Head Loss	< 3 metres @ 25 l/min flow rate with meter in accordance with WIS 4.37.01
Inlet	¾" BSP Female to EN 10226 (Acetal Co-Polymer)
Outlet	¾" BSP Female to EN 10226 (Acetal Co-Polymer)
Blanking Plugs	Full Flow (standard), Trickle Flow (optional), No Flow (optional) all in Acetal. 27/28 mm tapered A/F hexagonal upstand
Pallet Quantity	40 per pallet
Tools	BOP77011: 27mm socket for meter plug BOP77008: Short T bar 400mm long BOP77009: T bar extension 500mm long



Part Number	A (min/max)	B	C	D	E
MBB1152	270/385mm	40mm	208mm	225mm	173mm

TALIS UK

Brackla Industrial Estate
Bridgend, Wales CF31 2AX
United Kingdom

PHONE +44 (0)845 077 9797

FAX +44 (0)845 077 9798

E-MAIL enquiries@talys-group.com

INTERNET www.talys-uk.com



Note: Specifications may be changed without notification at any time.
Copyright: No copying without express written permission of TALIS UK.
TALIS is a Registered Trademark. DS_EBCO Meterbox MBB1152_02/17