

MATRIX Below Ground Boundary Box Sealed Telescopic Plastic Raised Manifold



25/32mm PE Connections
Class 1.S.C

16 Bar pressure rating Grade C load bearing

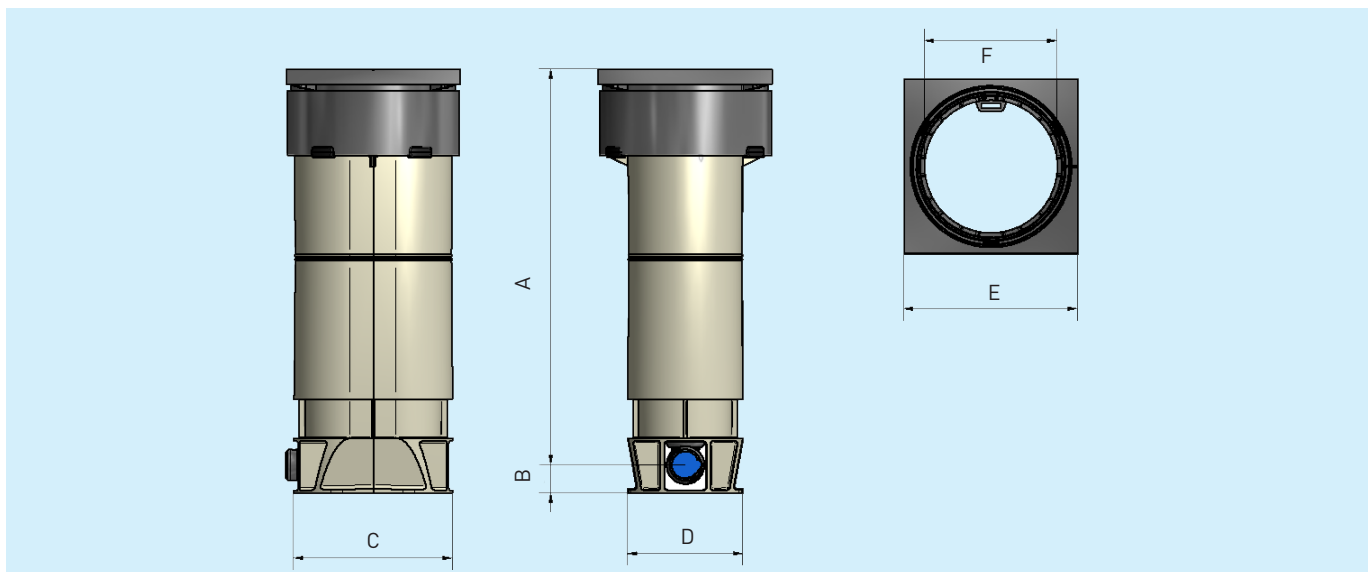
Sealed Telescopic Plastic Raised Manifold

Part Number	Connections	Shut off	Manifold	Height (A)	Lid
E8951	25mm PF	¼ Turn	Plastic - Raised	470-850mm	Tilt Pluck Swivel Square
E9136	32mm PF	¼ Turn	Plastic - Raised	470-850mm	Tilt Pluck Swivel Square
E9859	25mm PF	360° Spherical	Plastic - Raised	470-850mm	Tilt Pluck Swivel Square
E9884	32mm PF	360° Spherical	Plastic - Raised	470-850mm	Tilt Pluck Swivel Square
E9663	25mm PF	¼ Turn	Plastic - Raised	281-495mm	Tilt Pluck Swivel Square

MATRIX Below Ground Boundary Box

25/32mm Pushfit Class 1.S.C

Feature	Specification
Frame and Cover	Universal 8° tilt. Pluck lid with Square swivel plate. Lid tether as standard. Optional without swivel plate or lid tether. Glass Filled Polypropylene, Grade C load bearing according to WIS 4-37-01
Guard Tube Material	Mineral Filled Polypropylene
Guard Tube Profile	Stadium profile with 173mm x 116mm opening
Height Adjust (appr)	470mm to 850mm (inc 50mm final height adjustment in surface box and 25mm guard tube overlap) Short box 281mm to 495mm.
Frost Protection	As standard in accordance with WIS 4-37-01
Water Tightness	Sealed Class 1.S.C
Shut Off Device	¼ turn with long key or 360° with tee head
Non Return Valve	In accordance with BS EN 13959 Family E Type B (WIS 5-11-01)
Manifold	Raised style in Plastic (Acetal Co-Polymer)
Meter Connection	1½" BSP concentric meters to BS EN ISO 4064 Q3 4.0 (QN2.5)
Head Loss	< 3 metres @ 25 l/min flow rate with meter
Inlet	25/32 mm Pushfit for PE pipe in accordance with WIS 4-32-11
Outlet	25/32 mm Pushfit for PE pipe in accordance with WIS 4-32-11
Blank Plugs	Full Flow (standard), Trickle Flow (optional), No Flow (optional). 27/28 mm tapered A/F hexagonal upstand
Product Weight (approx)	3.4kg- 4.5kg
Pallet Quantity	40 per pallet
Tools	BOP77011: 27mm socket for meter plug BOP77008: Short T bar 400mm long BOP77009: T bar extension 500mm long FTK003: 5/8 W socket ½" Drive meter plug & NRV BOP00618: ½" Drive T bar



Box	A (min/max)	B	C	D	E	F
MATRIX	470/850	35mm	208mm	151mm	227mm	173mm

TALIS UK

Brackla Industrial Estate
Bridgend, Wales CF31 2AX
United Kingdom

PHONE +44 (0) 845 077 9797

FAX +44 (0) 845 077 9798

E-MAIL enquiries@talis-group.com

INTERNET www.talis-uk.com



Note: Specifications may be changed without notification at any time.
Copyright: No copying without express written permission of TALIS UK.
TALIS is a Registered Trademark. DS_TALBOT MATRIX Box (03/17).