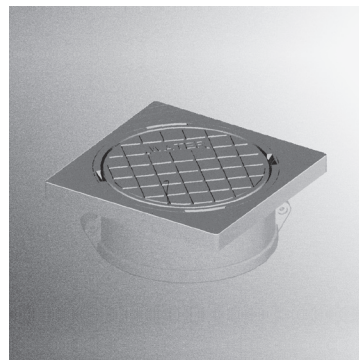


EIRE MATRIX Below Ground Boundary Box Sealed Telescopic Plastic Raised Manifold



20/25/32mm PE and 1/2" / 3/4" / 1" IHG
PE Connections Class 1.S.C

16 Bar pressure rating Grade C load bearing



| Part Code | Connections | Shut Off | Manifold Style | Lid* |
|-----------|-------------|---------------------|------------------|------|
| E9195 | 20mm PE | 1/4 Turn / Long Key | Raised / Plastic | TPSS |
| E9196 | 25mm PE | 1/4 Turn / Long Key | Raised / Plastic | TPSS |
| E9197 | 32mm PE | 1/4 Turn / Long Key | Raised / Plastic | TPSS |
| E9130 | 1/2" IHG PE | 1/4 Turn / Long Key | Raised / Plastic | TPSS |
| E9900 | 3/4" IHG PE | 1/4 Turn / Long Key | Raised / Plastic | TPSS |
| E9962 | 1" IHG PE | 1/4 Turn / Long Key | Raised / Plastic | TPSS |

* Lid marked 'WATER' and 'UISCE' and incorporates metal detector plate

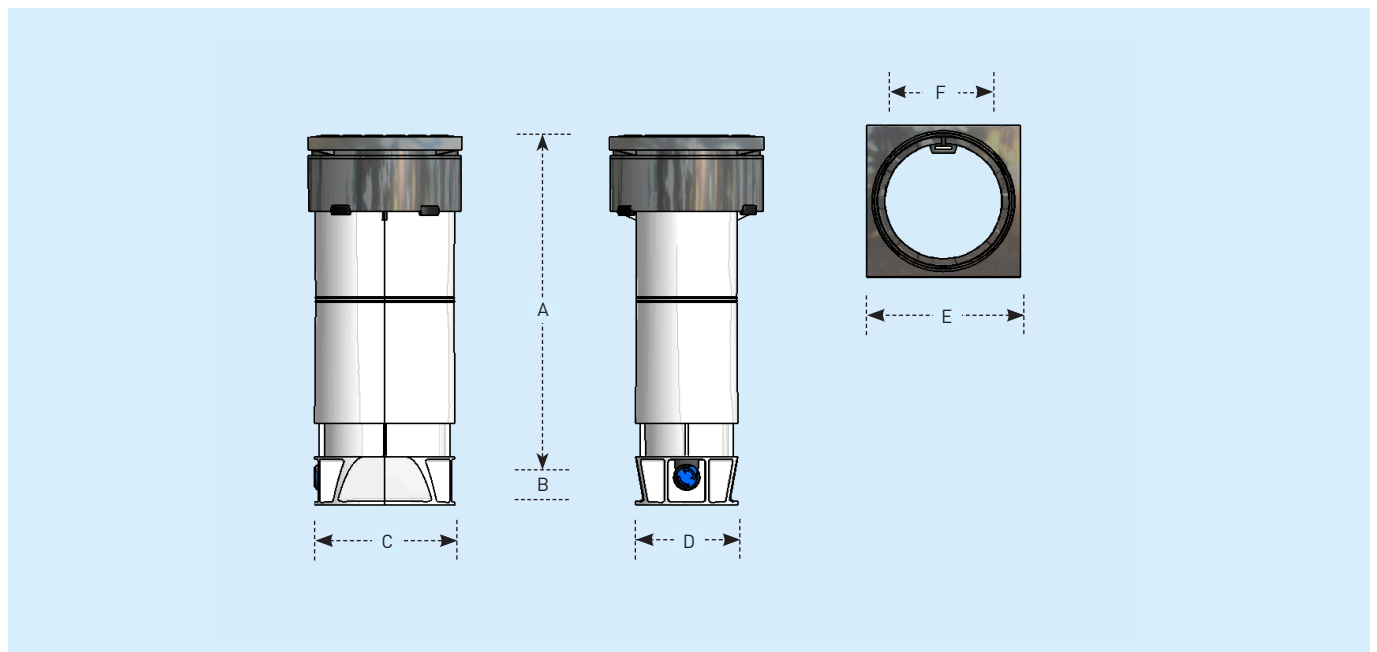
Key to Table Acronyms

TPSS: Tilt / Pluck / Swivel / Square

EIRE MATRIX Below Ground Boundary Boxes

20/25/32mm and 1/2"/3/4"/1" IHG push fit Class 1.S.C.

| Feature | Specification |
|---------------------------|--|
| Frame and Cover | Universal 8° tilt. Pluck lid. Square swivel plate. Lid tether as standard. Optional without swivel plate or lid tether. Glass Filled Polypropylene. Grade C load bearing according to WIS 4-37-01 |
| Guard Tube Material | Mineral Filled Polypropylene |
| Guard Tube Profile | Stadium profile with 173mm x 116mm opening |
| Height Adjustment (appr.) | 470mm to 870mm (inc. 50mm final height adjustment in surface box and 25mm guard tube overlap) |
| Frost Protection | As standard in accordance with WIS 4-37-01 |
| Water Tightness | Watertight |
| Shut Off Device | ¼ turn with long key |
| Non Return Valve | In accordance with WIS 5-11-01 |
| Manifold | Raised style; Plastic (Acetal Co-Polymer) |
| Meter Connection | 1½" BSP concentric meters up to Qn 2.5m³/hr |
| Head Loss | < 3 metres @ 25 l/min flowrate with meter |
| Inlet | 20mm, 25mm, 32mm push fit for PE pipe in accordance with WIS 4-32-11 or ½", ¾", 1" Irish Heavy Gauge push fit for PE pipe |
| Outlet | 20mm, 25mm, 32mm push fit for PE pipe in accordance with WIS 4-32-11 or ½", ¾", 1" Irish Heavy Gauge push fit for PE pipe |
| Blanking Plugs | Full Flow (standard), Trickle Flow (optional), No Flow (optional). 27/28mm tapered A/F hexagonal upstand |
| Product Weight (approx.) | 4.5kg |
| Pallet Quantity | 40 per pallet |
| Tools | APC00598: Lid pluck tool BOP77011: 27mm socket for meter plug and NRV BOP77008: Short T bar 400mm long BOP77009: T bar extension 500mm long |



| Box | A [min/max] | B | C | D | E | F |
|--------|-------------|-------|--------|-------|--------|--------|
| ATPLAS | 470/870 mm | 35 mm | 208 mm | 151mm | 225 mm | 173 mm |

ATLANTIC PLASTICS Ltd

Edison Road, Hams Hall Distribution Park, Coleshill, Birmingham
 B46 1AB, United Kingdom
 Phone: +44 1675 437 900, Fax: +44 1675 437 909
 E-Mail: info@talys-group.com, Web: www.talys-uk.com

