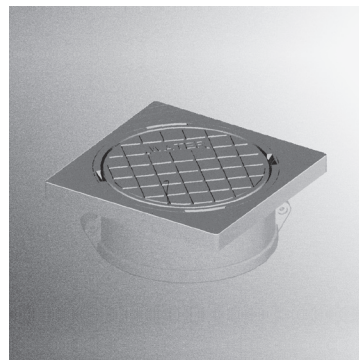


EIRE MATRIX SHORT Below Ground Boundary Box Sealed Telescopic Plastic Raised Manifold

20/25/32mm PE and 1/2" / 3/4" / 1" IHG
PE Connections Class 1.S.C

16 Bar pressure rating Grade C load bearing



Part Code	Connections	Shut Off	Manifold Style	Lid*	Insulation
E9662	20mm PE	1/4 Turn / Tee Head	Raised / Plastic	TPSS	No
E9663	25mm PE	1/4 Turn / Tee Head	Raised / Plastic	TPSS	No
E9664	32mm PE	1/4 Turn / Tee Head	Raised / Plastic	TPSS	No
E9090	1/2" IHG PE	1/4 Turn / Tee Head	Raised / Plastic	TPSS	No
E10003	3/4" IHG PE	1/4 Turn / Tee Head	Raised / Plastic	TPSS	No
E10004	1" IHG PE	1/4 Turn / Tee Head	Raised / Plastic	TPSS	No

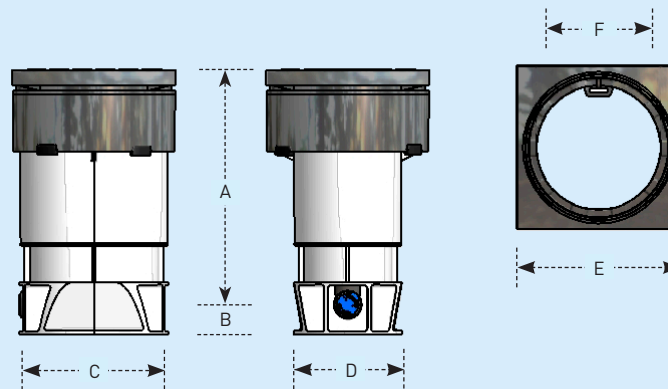
* Lid marked 'WATER' and 'UISCE' and incorporates metal detector plate

Key to Table Acronyms

TPSS: Tilt / Pluck / Swivel / Square

EIRE MATRIX SHORT Below Ground Boundary Boxes 20/25/32mm and 1/2"/3/4"/1" IHG push fit Class 1.S.C.

Feature	Specification
Frame and Cover	Universal 8° tilt. Pluck lid. Square swivel plate. Lid tether as standard. Optional without swivel plate or lid tether. Glass Filled Polypropylene. Grade C load bearing according to WIS 4-37-01
Guard Tube Material	Mineral Filled Polypropylene
Guard Tube Profile	Stadium profile with 173mm x 116mm opening
Height Adjustment (appr.)	310mm to 545mm (inc. 50mm final height adjustment in surface box and 25mm guard tube overlap)
Frost Protection	Not available
Water Tightness	Watertight
Shut Off Device	¼ turn with tee head
Non Return Valve	In accordance with WIS 5-11-01
Manifold	Raised style; Plastic (Acetal Co-Polymer)
Meter Connection	1½" BSP concentric meters up to Qn 2.5m³/hr
Head Loss	< 3 metres @ 25 l/min flowrate with meter
Inlet	20mm, 25mm, 32mm push fit for PE pipe in accordance with WIS 4-32-11 or ½", ¾", 1" Irish Heavy Gauge push fit for PE pipe
Outlet	20mm, 25mm, 32mm push fit for PE pipe in accordance with WIS 4-32-11 or ½", ¾", 1" Irish Heavy Gauge push fit for PE pipe
Blanking Plugs	Full Flow (standard), Trickle Flow (optional), No Flow (optional). 27/28mm tapered A/F hexagonal upstand
Product Weight (approx.)	3.4kg
Pallet Quantity	40 per pallet
Tools	APC00598: Lid pluck tool BOP77011: 27mm socket for meter plug and NRV BOP77008: Short T bar 400mm long BOP77009: T bar extension 500mm long



Box	A [min/max]	B	C	D	E	F
ATPLAS	310/545 mm	35 mm	208 mm	151mm	225 mm	173 mm

ATLANTIC PLASTICS Ltd

Edison Road, Hams Hall Distribution Park, Coleshill, Birmingham
B46 1AB, United Kingdom
Phone: +44 1675 437 900, Fax: +44 1675 437 909
E-Mail: info@talis-group.com, Web: www.talis-uk.com

